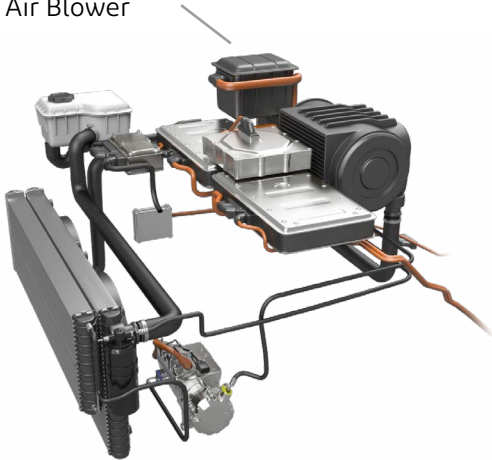


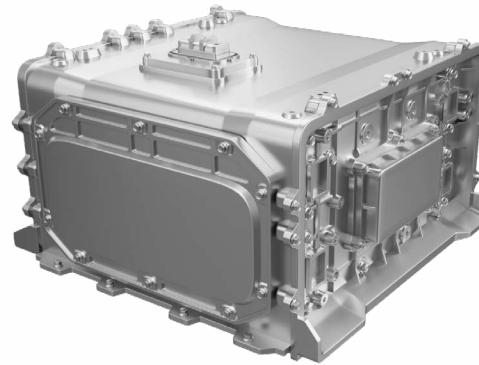
Air Management System

Zytel® PA, Crastin® PBT, Hytrel®, Vamac®
Elastomers for:

- Humidifier
- Air Intake Hose
- Condensation Trap
- Air Blower



Fuel Cell System



Thermal Management System

Zytel® HTN (PPA), Zytel® PA, Crastin® PBT
Low Ion Elusion Grades:

- Cooling Pipes
- Distributor
- Valve, Water Inlet/Outlet
- Filter
- Radiator



Fuel Cell Stack

Zytel® HTN (PPA), Zytel® PA for:

- Manifold Block Body
- Side Cover Body
- Air In & Out Cover
- ACV Plate
- Insulator Plate
- Hoses
- Hydrogen Inlet Body & Cover
- Water Cover
- End Cell Plate

Fuel Processing System

Zytel® PA for:

- Hydrogen Tank Liner